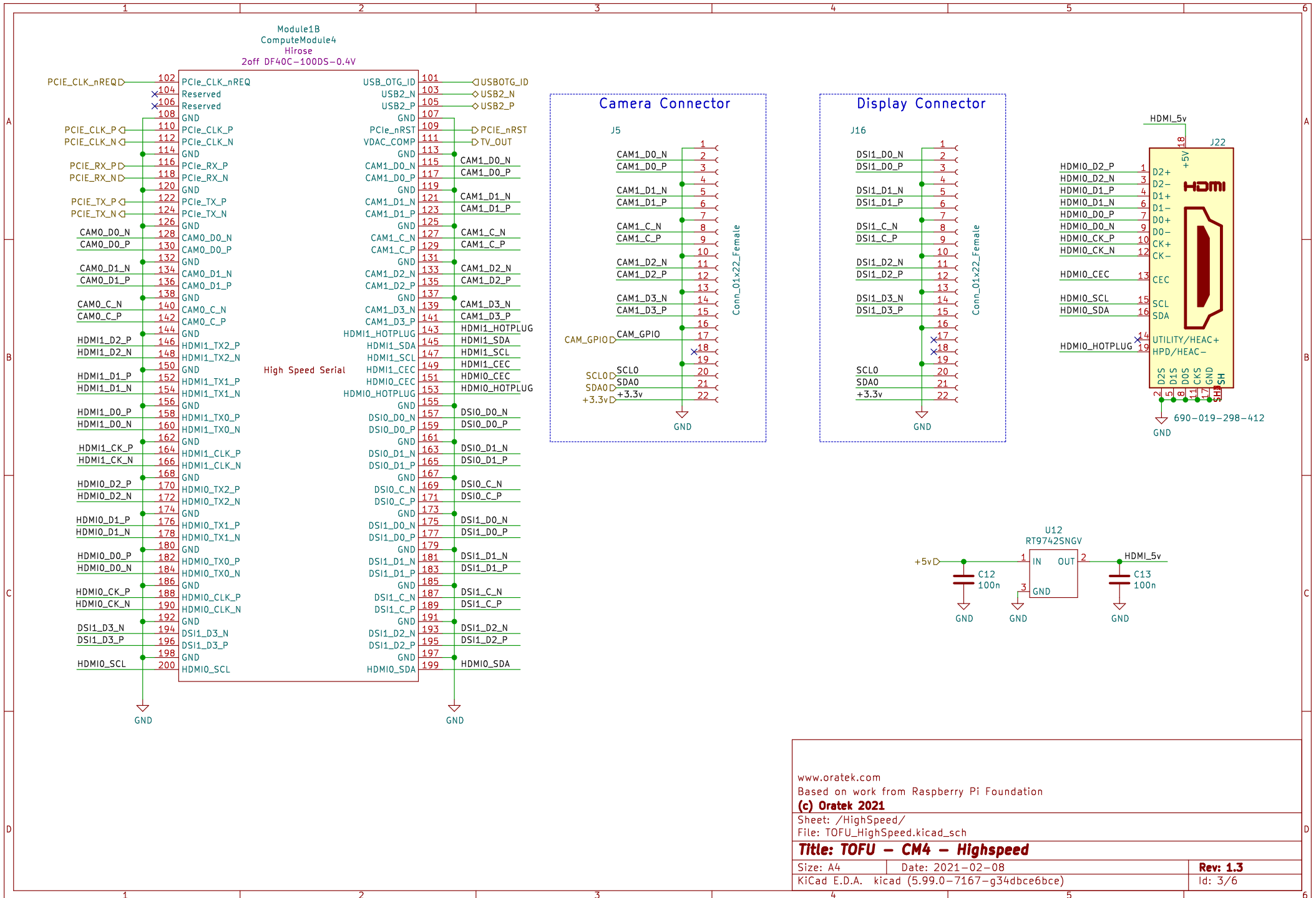


- H1 MountingHole
- H2 MountingHole
- H4 MountingHole
- H5 MountingHole
- H6 MountingHole
- H7 MountingHole
- H8 MountingHole

www.oratek.com		
Based on work from Raspberry Pi Foundation		
(c) Oratek 2021		
Sheet: /		
File: TOFU.kicad_sch		
Title: TOFU - Top Level		
Size: A4	Date: 2021-02-08	Rev: 1.3
KiCad E.D.A. kicad (5.99.0-7167-g34dbce6bce)		Id: 1/6



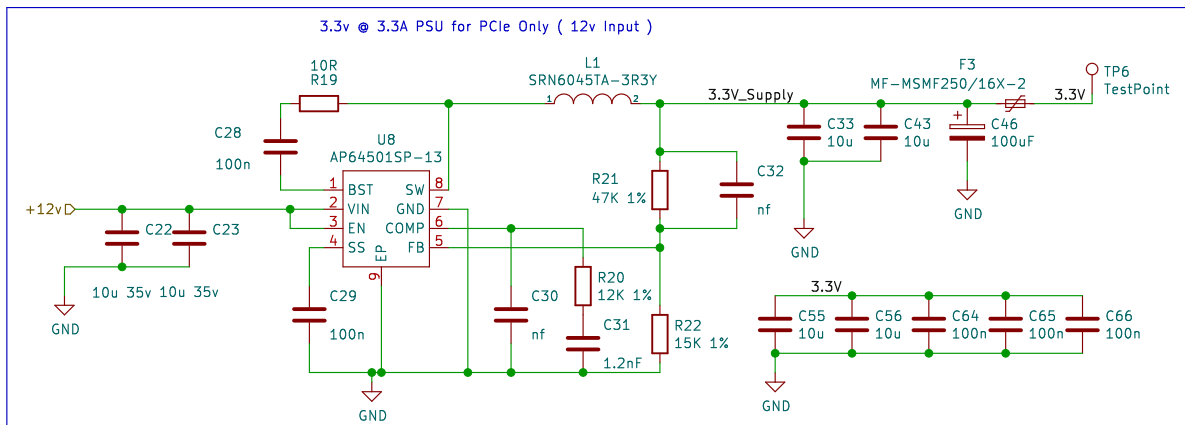
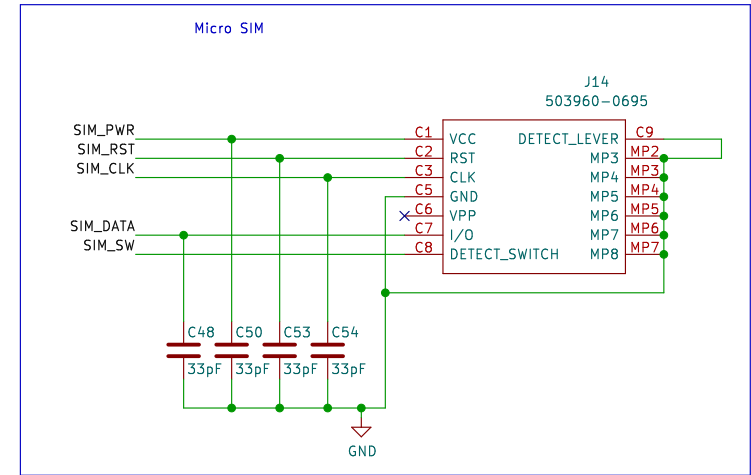
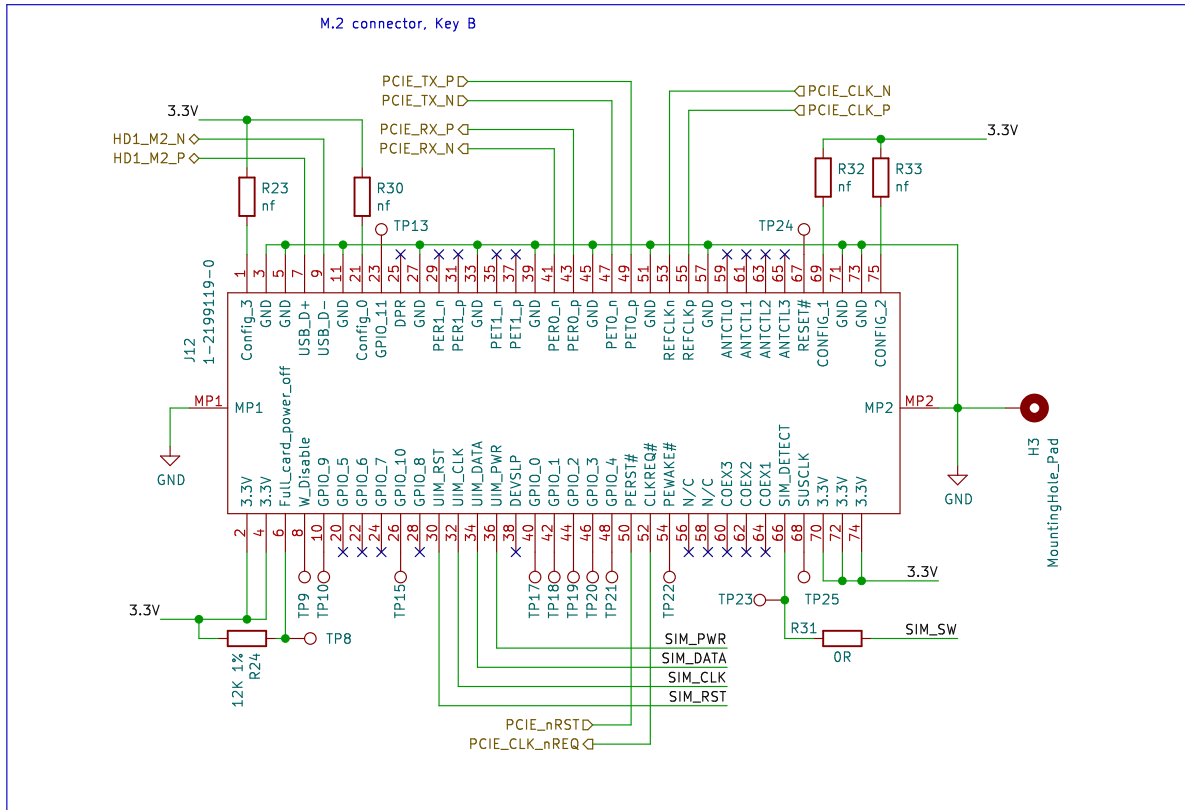
www.oratek.com
 Based on work from Raspberry Pi Foundation

(c) Oratek 2021

Sheet: /HighSpeed/
 File: TOFU_HighSpeed.kicad_sch

Title: TOFU - CM4 - Highspeed

Size: A4	Date: 2021-02-08	Rev: 1.3
KiCad E.D.A. kicad (5.99.0-7167-g34dbce6bce)		Id: 3/6

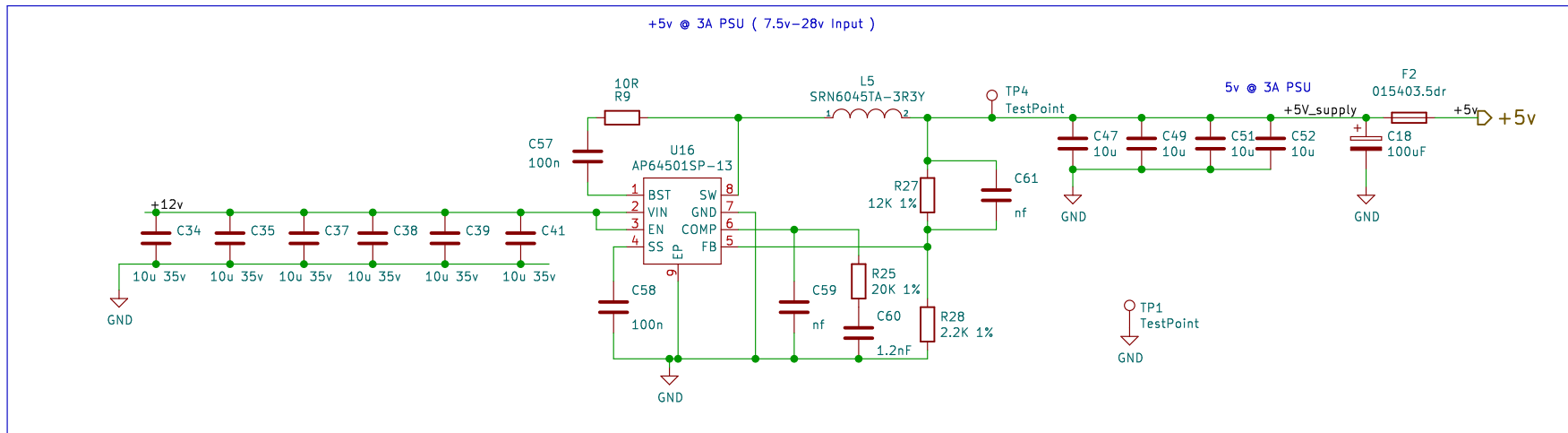
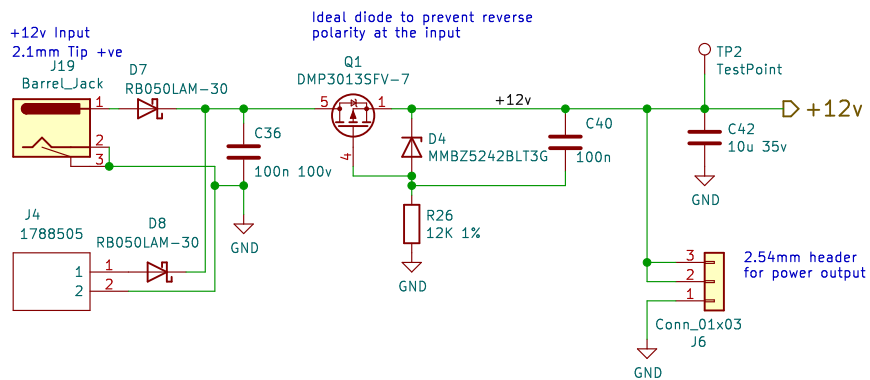


www.oratek.com
 Based on work from Raspberry Pi Foundation
 (c) Oratek 2021
 Sheet: /M.2_connector/
 File: TOFU_M2-connector.kicad_sch

Title: TOFU - M.2

Size: A4 Date: 2021-02-08
 KiCad E.D.A. kicad (5.99.0-7167-g34dbce6bce)

Rev: 1.3
 Id: 5/6



www.oratek.com
Based on work from Raspberry Pi Foundation

(c) Oratek 2021

Sheet: /PSU/
File: TOFU_PSU.kicad_sch

Title: TOFU - PSU

Size: A4 Date: 2021-02-08
KiCad E.D.A. kicad (5.99.0-7167-g34dbce6bce)

Rev: 1.3
Id: 6/6